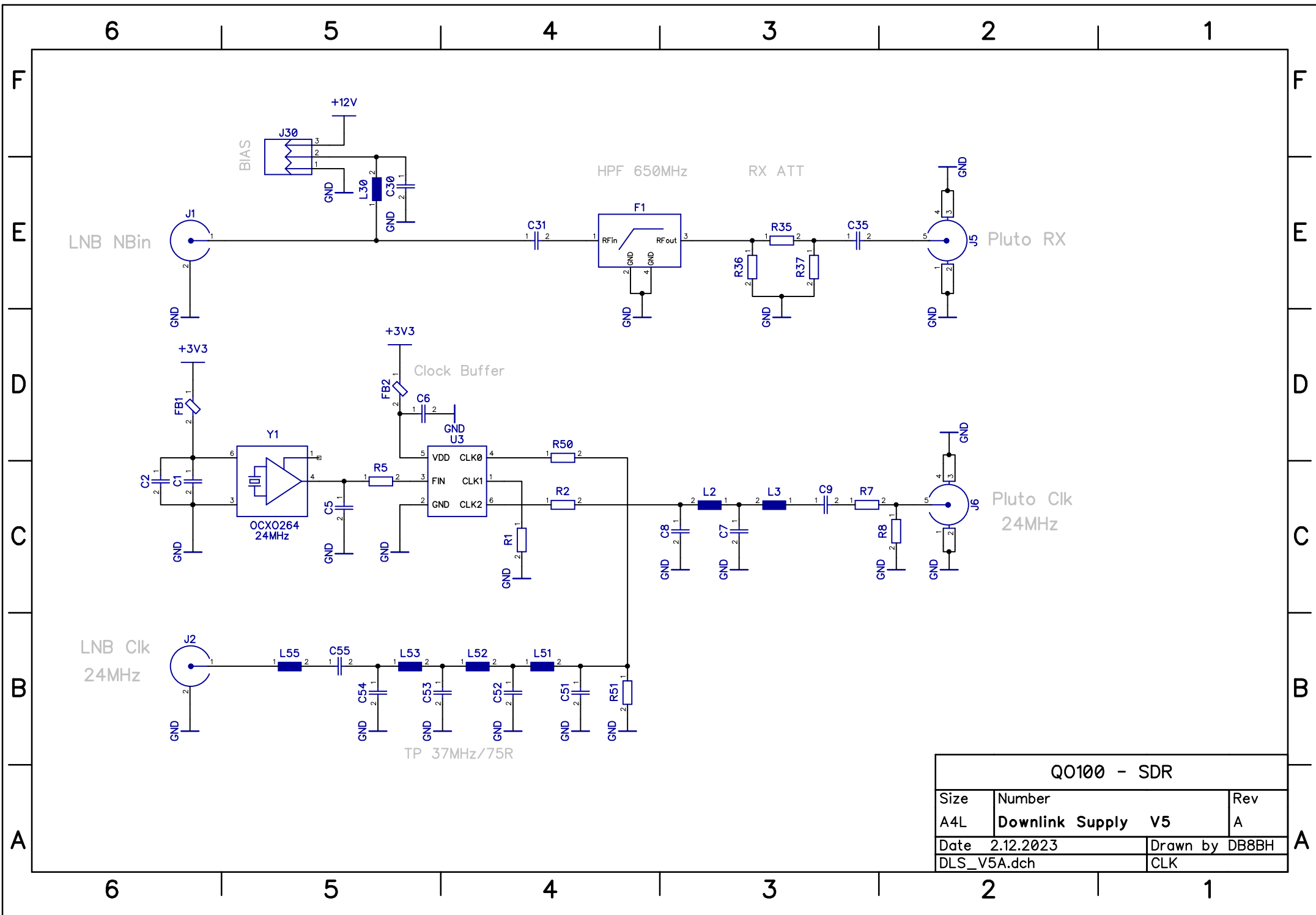
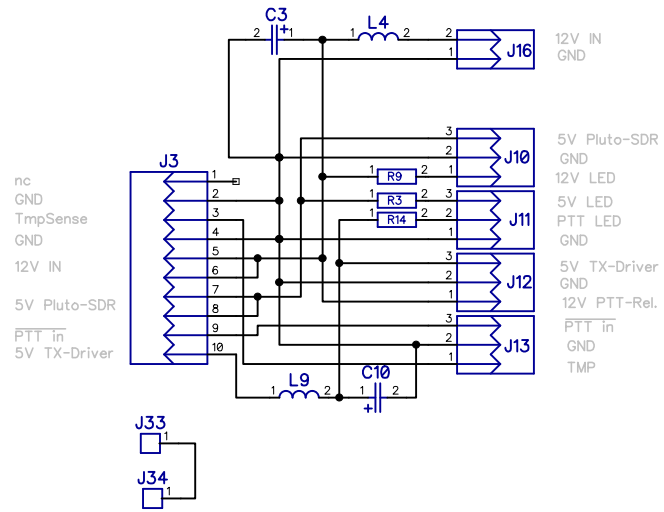


QO100 - SDR		
Size	Number	Rev
A4L	Downlink Supply V5	A
Date	2.12.2023	Drawn by DB8BH
DLS_V5A.dch		PWR



QO100 - SDR		
Size	Number	Rev
A4L	Downlink Supply V5	A
Date	2.12.2023	Drawn by DB8BH
DLS_V5A.dch		CLK

External Connector Board



QO100 - SDR

Size	Number	Rev
A4L	Downlink Supply V5	A
Date	2.12.2023	Drawn by DB8BH
DLS_V5A.dch		EXT