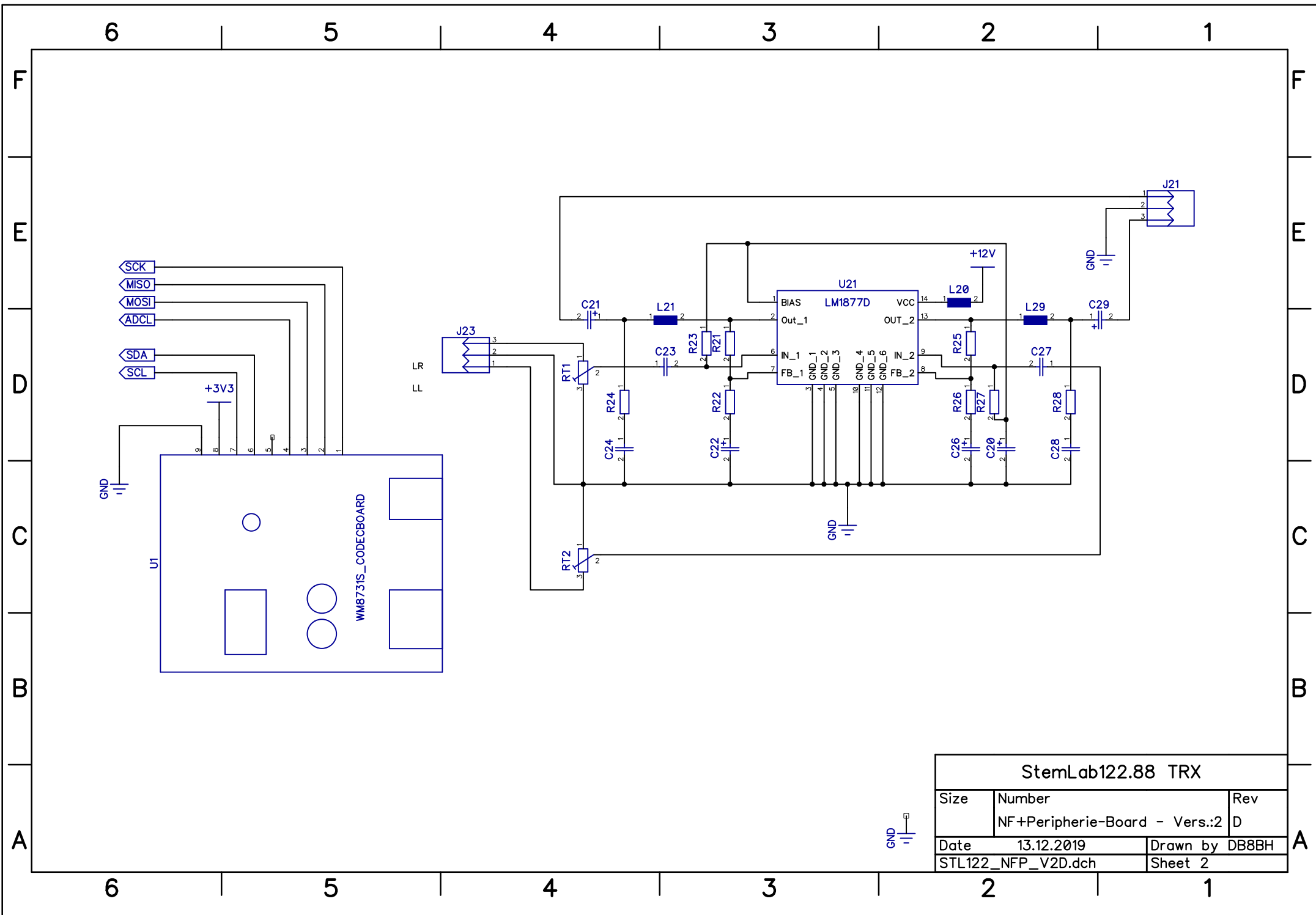
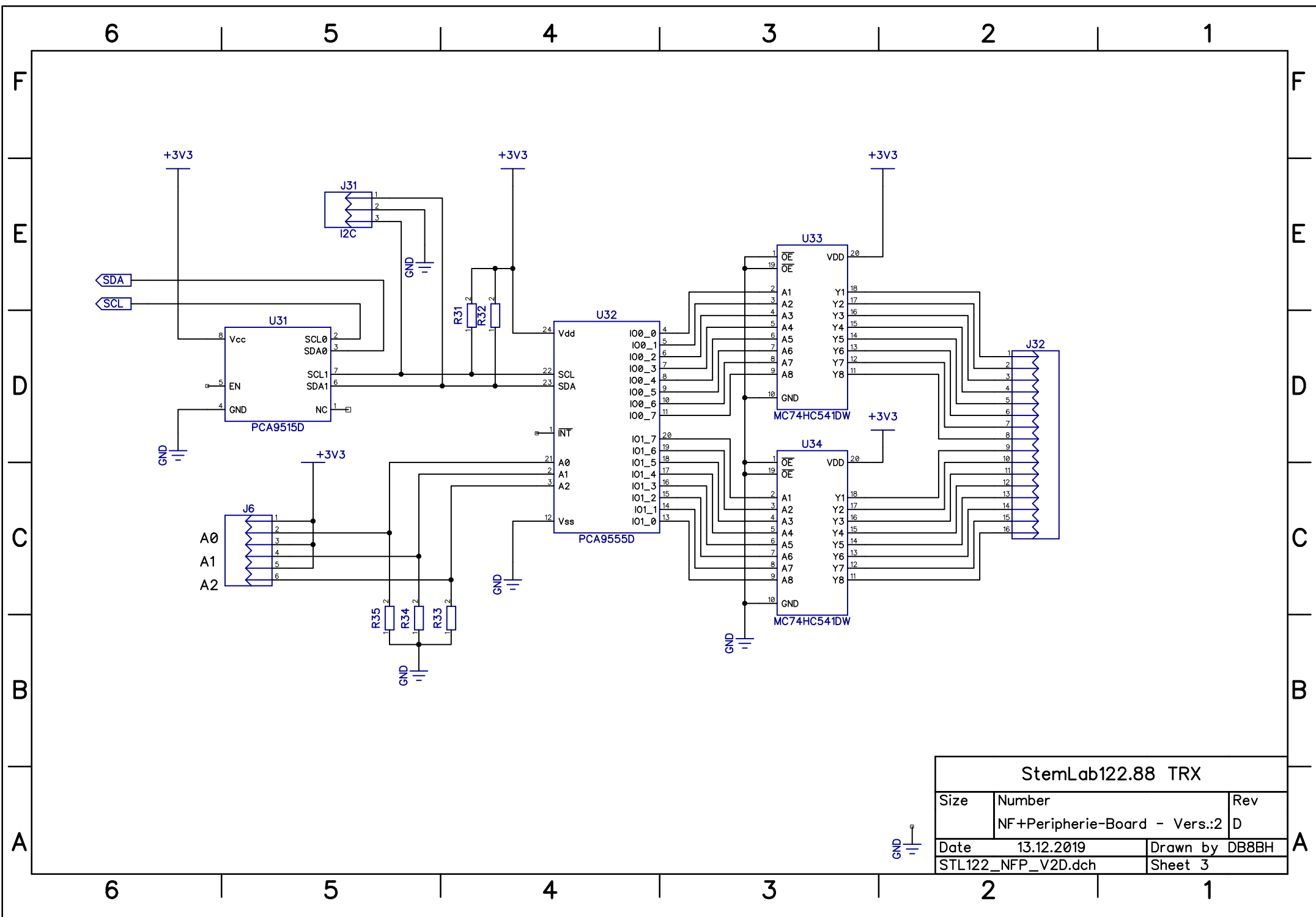


### StemLab122.88 TRX

Size	Number	Rev
	NF+Peripherie-Board - Vers.:2	D
Date	13.12.2019	Drawn by DB8BH
STL122_NFP_V2D.dch		Sheet 1



StemLab122.88 TRX		
Size	Number	Rev
	NF+Peripherie-Board - Vers.:2	D
Date	13.12.2019	Drawn by DB8BH
STL122_NFP_V2D.dch		Sheet 2



StemLab122.88 TRX		
Size	Number	Rev
	NF+Peripherie-Board - Vers.:2	D
Date	13.12.2019	Drawn by DB8BH
STL122_NFP_V2D.dch		Sheet 3