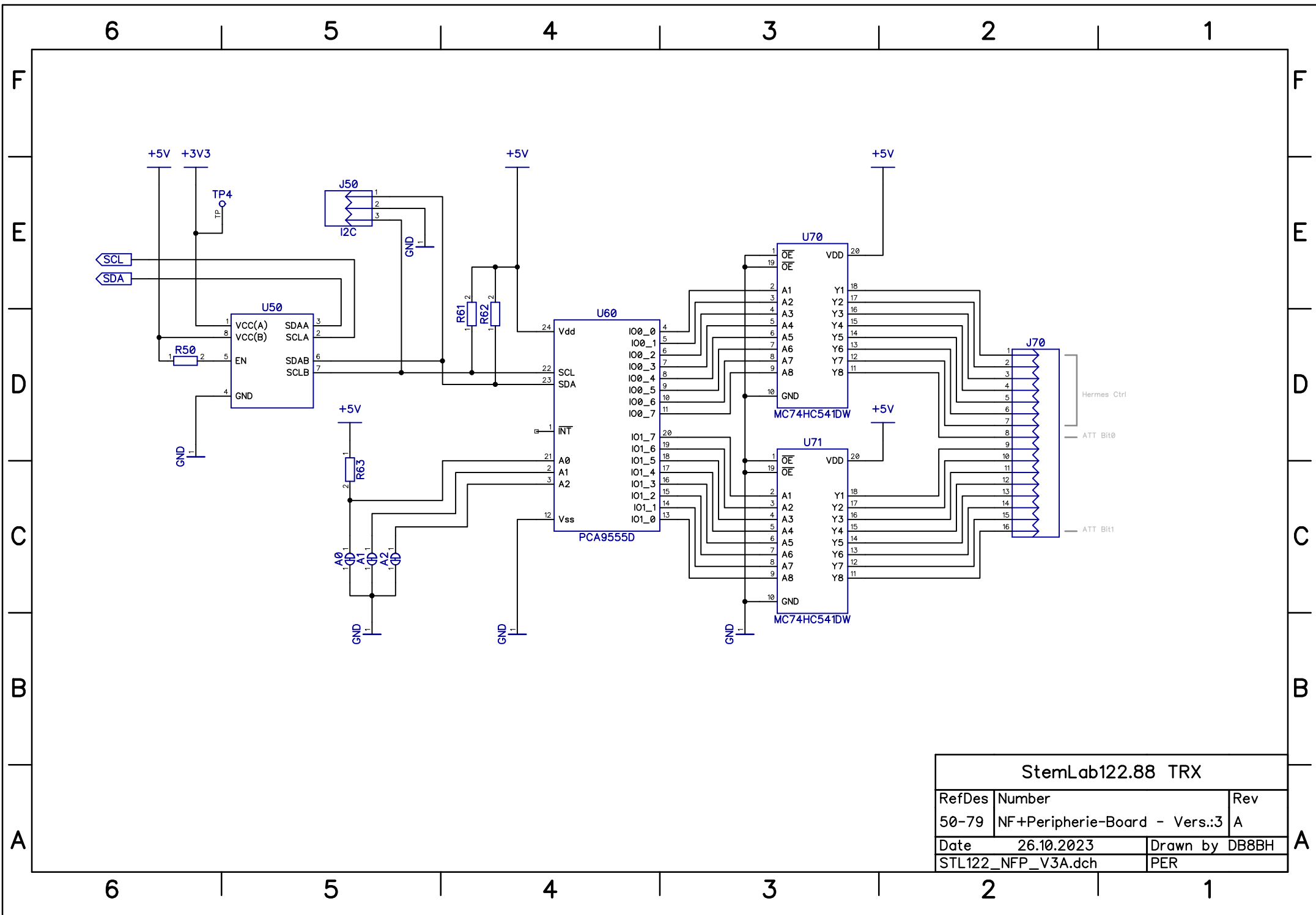
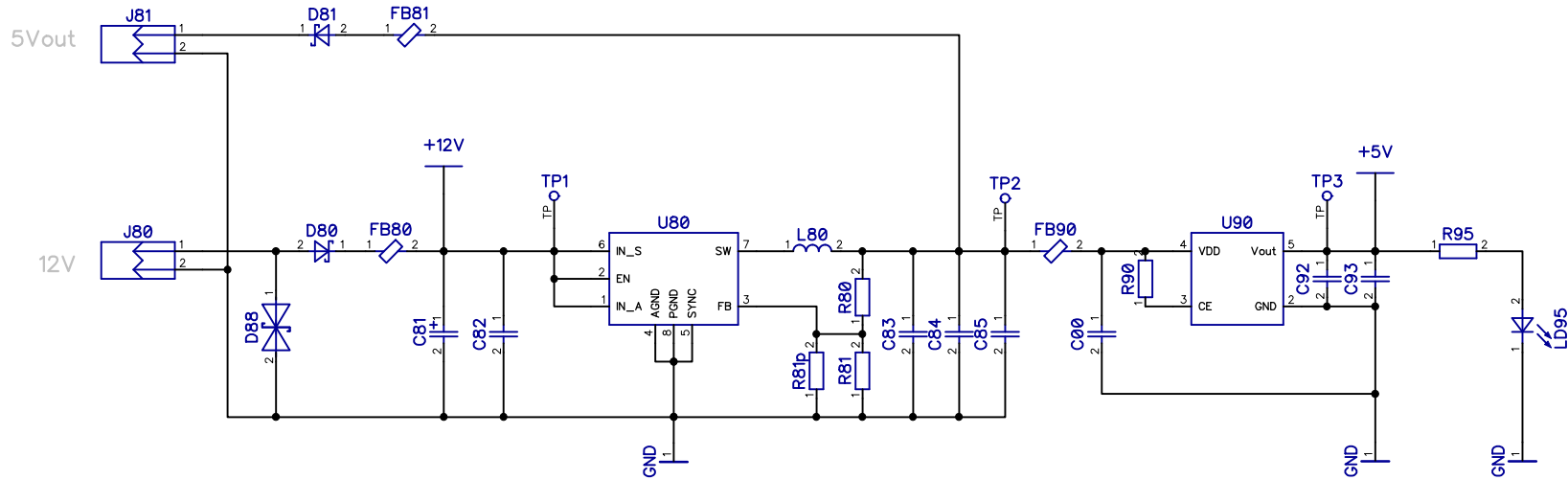


StemLab122.88 TRX		
RefDes	Number	Rev
30-49	NF+Peripherie-Board - Vers.:3	A
Date	26.10.2023	Drawn by DB8BH
STL122_NFP_V3A.dch		NF



StemLab122.88 TRX		
RefDes	Number	Rev
50-79	NF+Peripherie-Board - Vers.:3	A
Date	26.10.2023	Drawn by DB8BH
STL122_NFP_V3A.dch		PER



StemLab122.88 TRX		
RefDes	Number	Rev
80-99	NF+Peripherie-Board - Vers.:3	A
Date	26.10.2023	Drawn by DB8BH
STL122_NFP_V3A.dch		PWR