

6 5 4 3 2 1

F

F

E

E

D

D

C

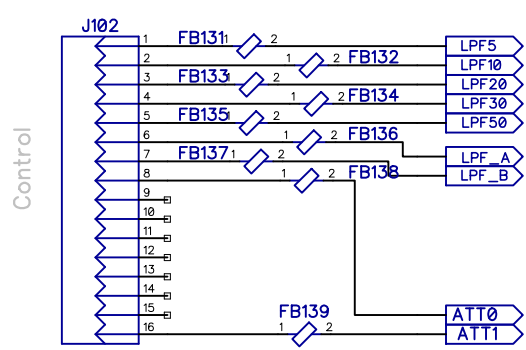
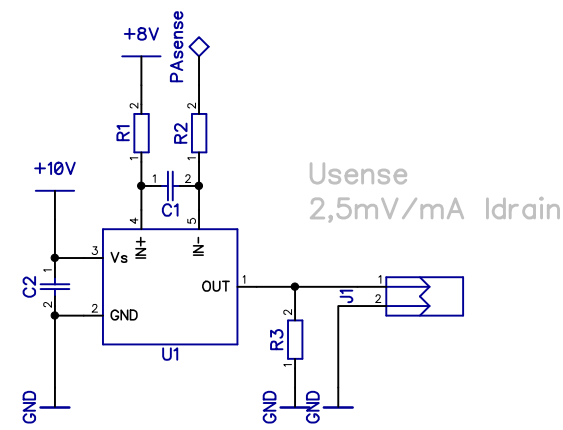
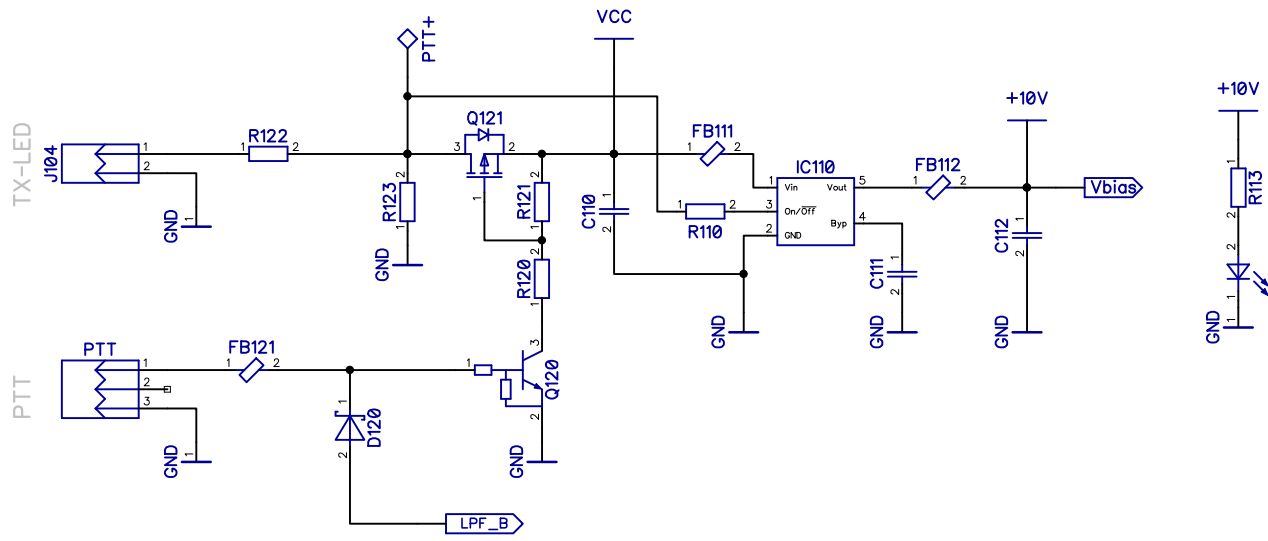
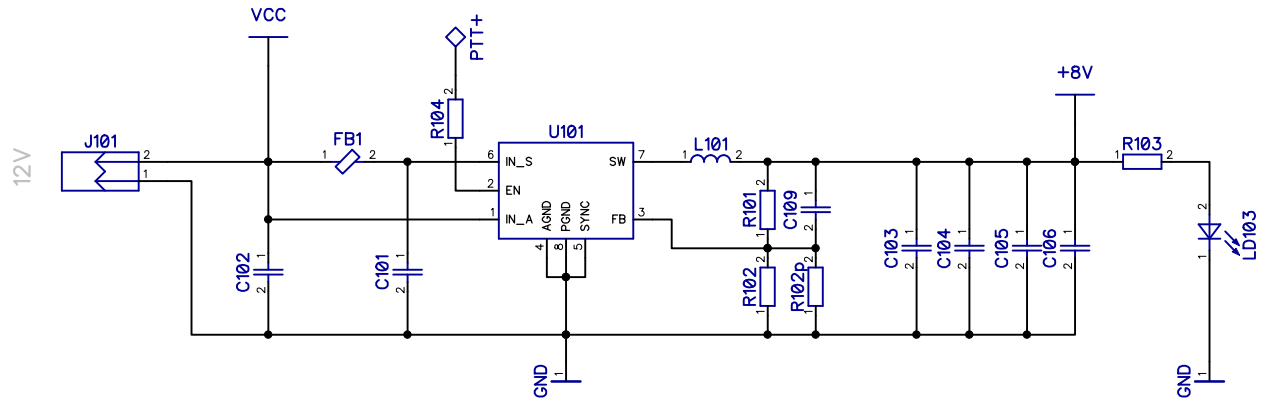
C

B

B

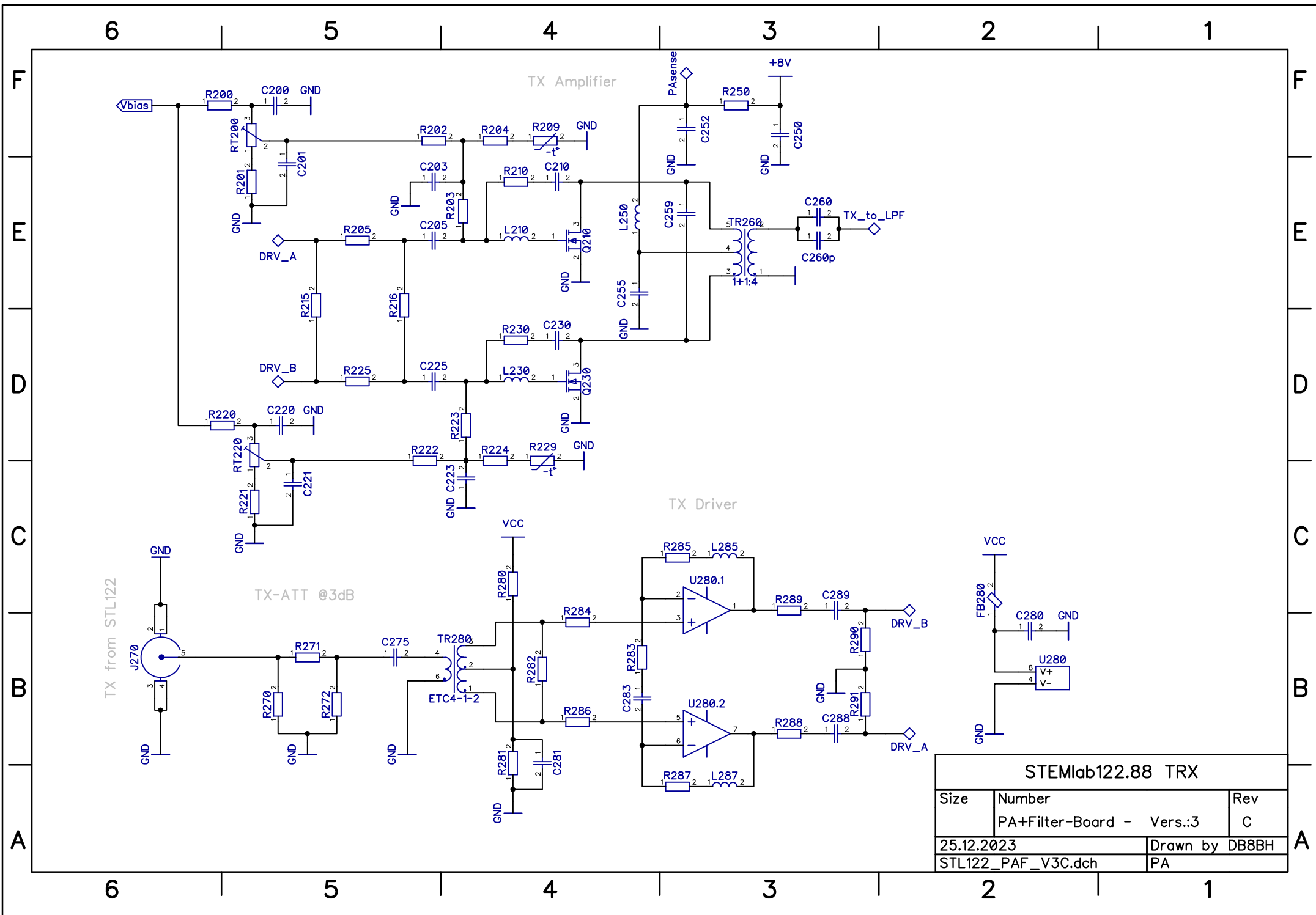
A

A

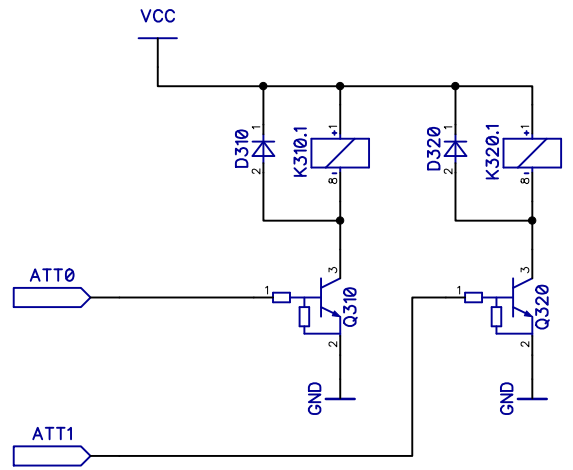
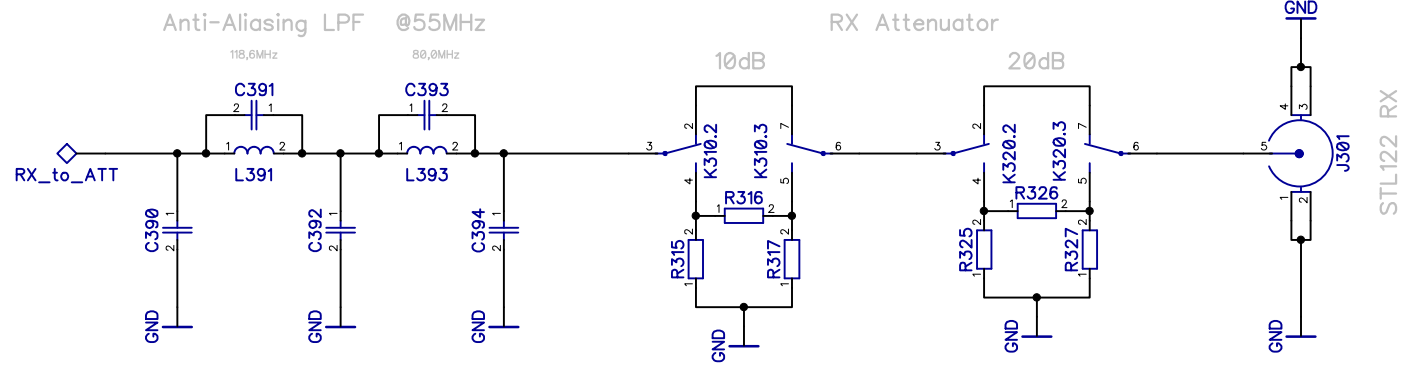


STEMlab122.88 TRX		
Size	Number	Rev
	PA+Filter-Board - Vers.:3	C
25.12.2023		Drawn by DB8BH
STL122_PAF_V3C.dch		PWR

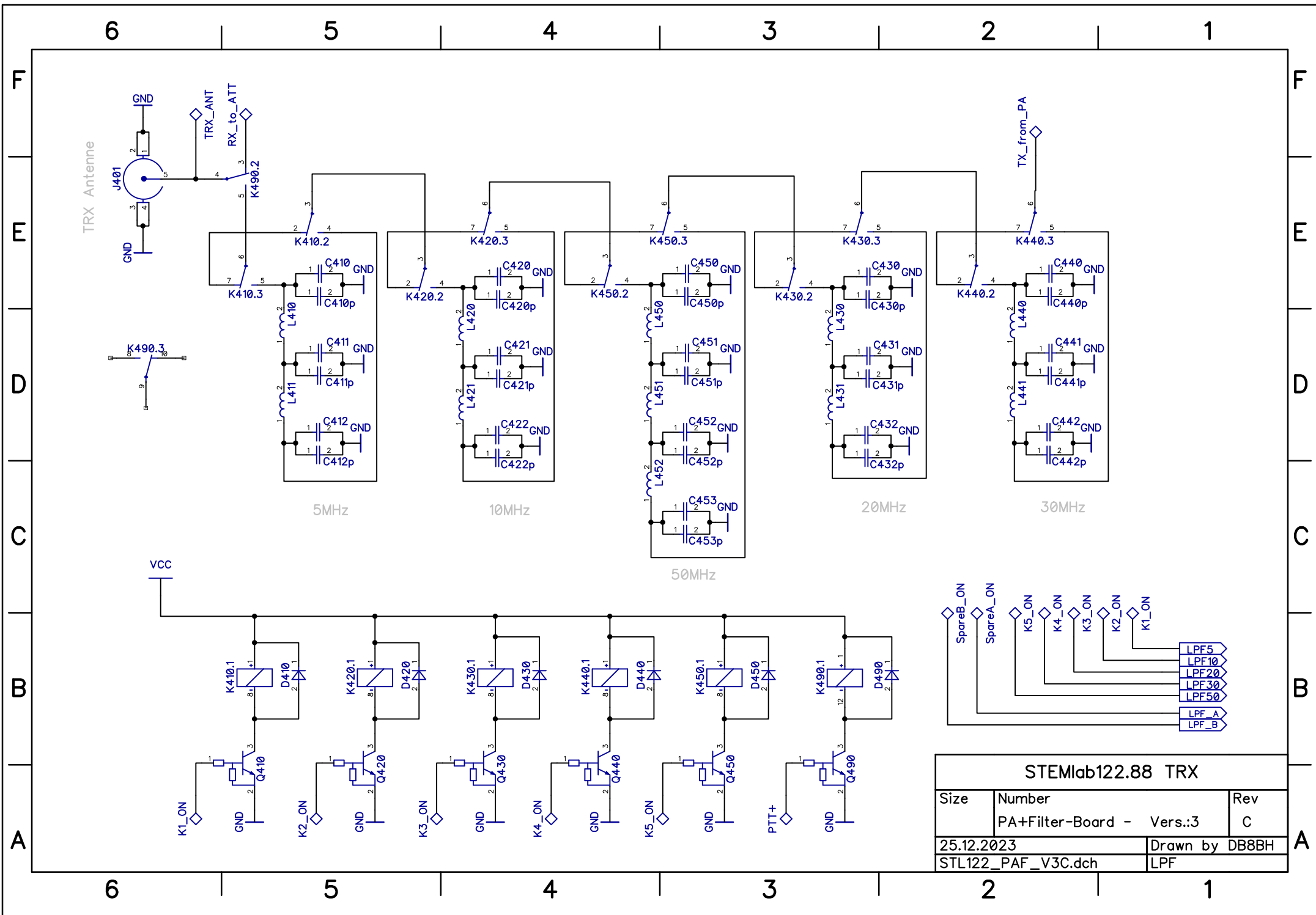
6 5 4 3 2 1



STEMlab122.88 TRX		
Size	Number	Rev
	PA+Filter-Board - Vers.:3	C
25.12.2023		Drawn by DB8BH
STL122_PAF_V3C.dch		PA



STEMlab122.88 TRX		
Size	Number	Rev
	PA+Filter-Board - Vers.:3	C
25.12.2023		Drawn by DB8BH
STL122_PAF_V3C.dch		ATT



STEMlab122.88 TRX		
Size	Number	Rev
	PA+Filter-Board - Vers.:3	C
25.12.2023		Drawn by DB8BH
STL122_PAF_V3C.dch		LPF